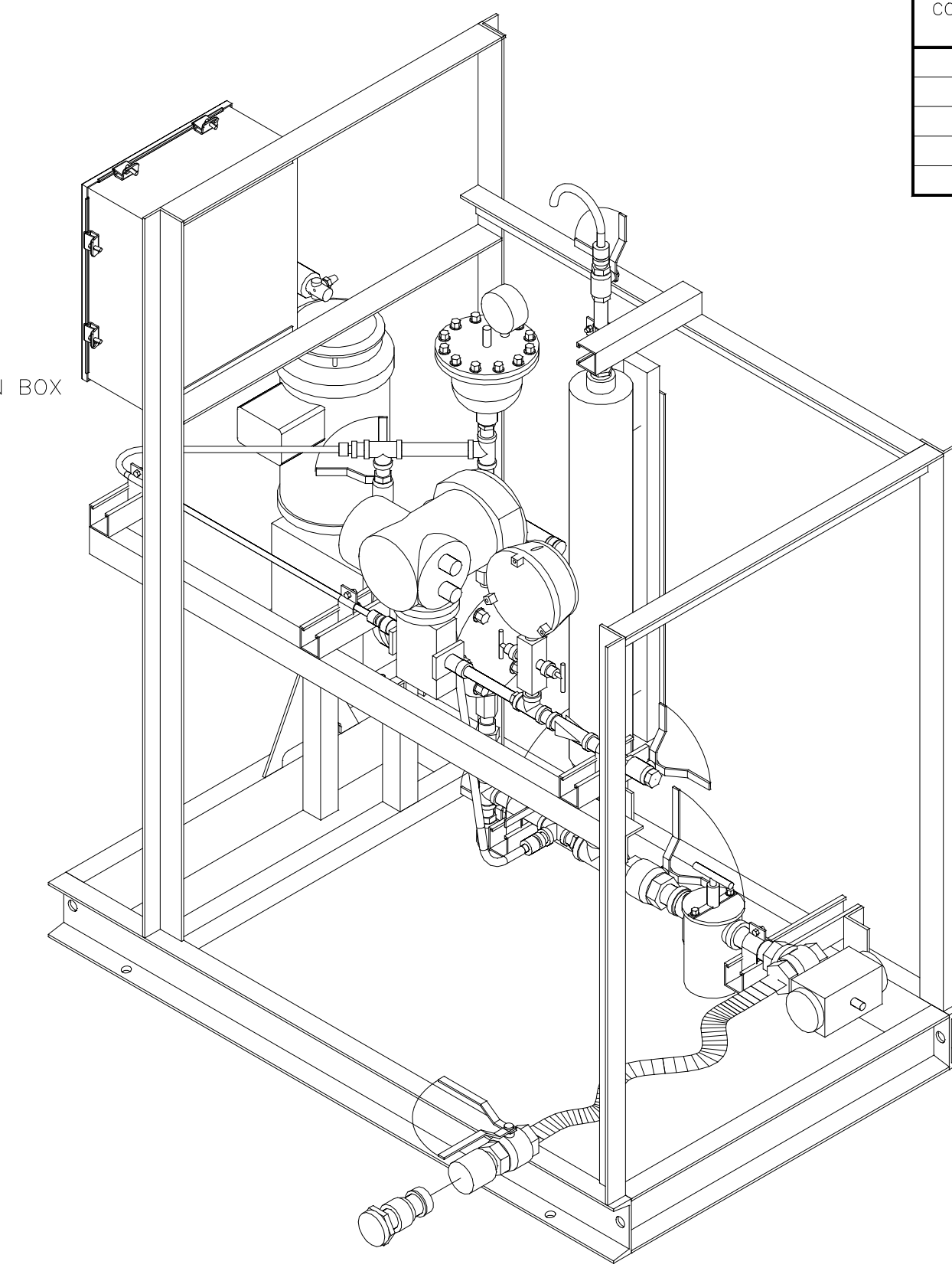
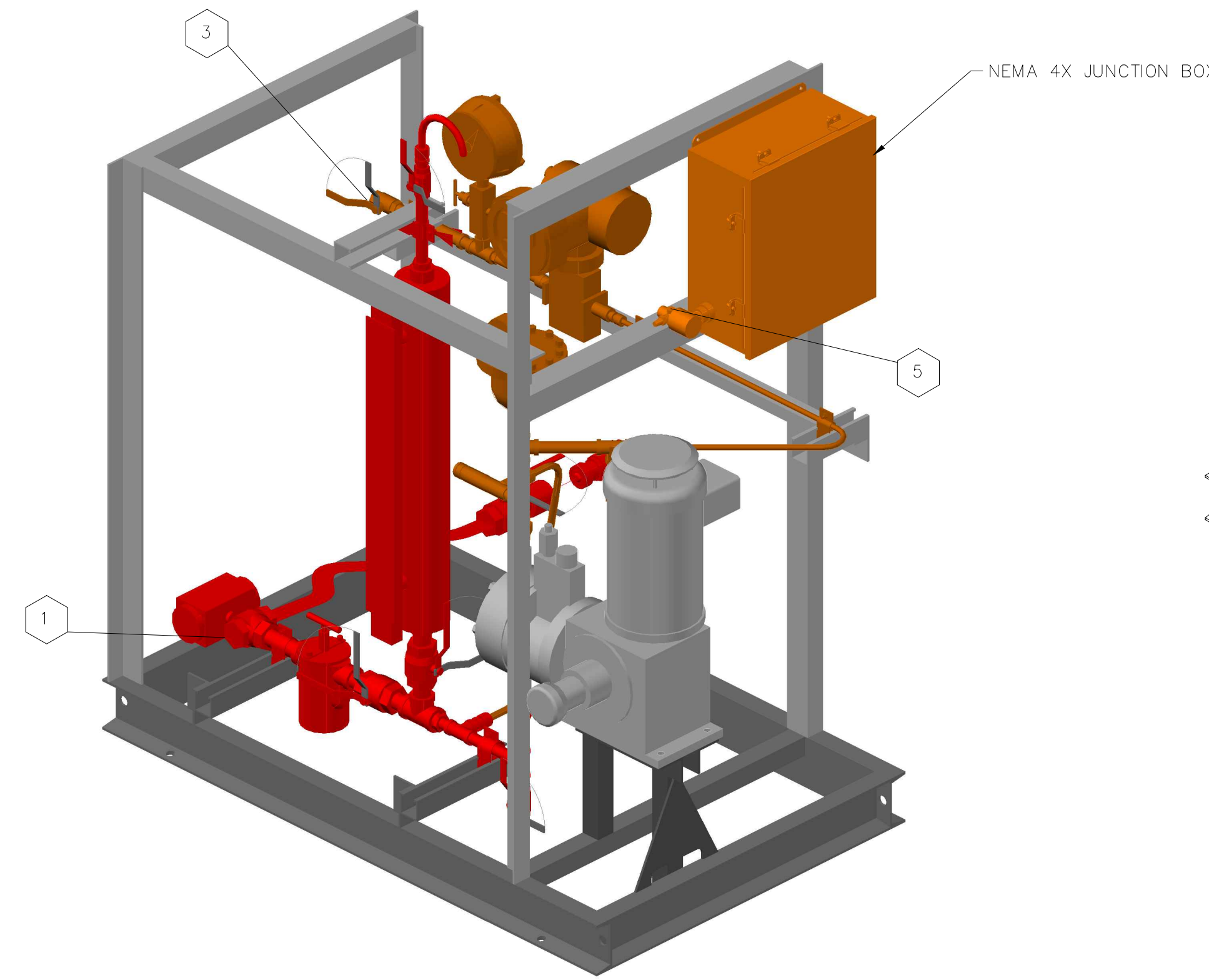
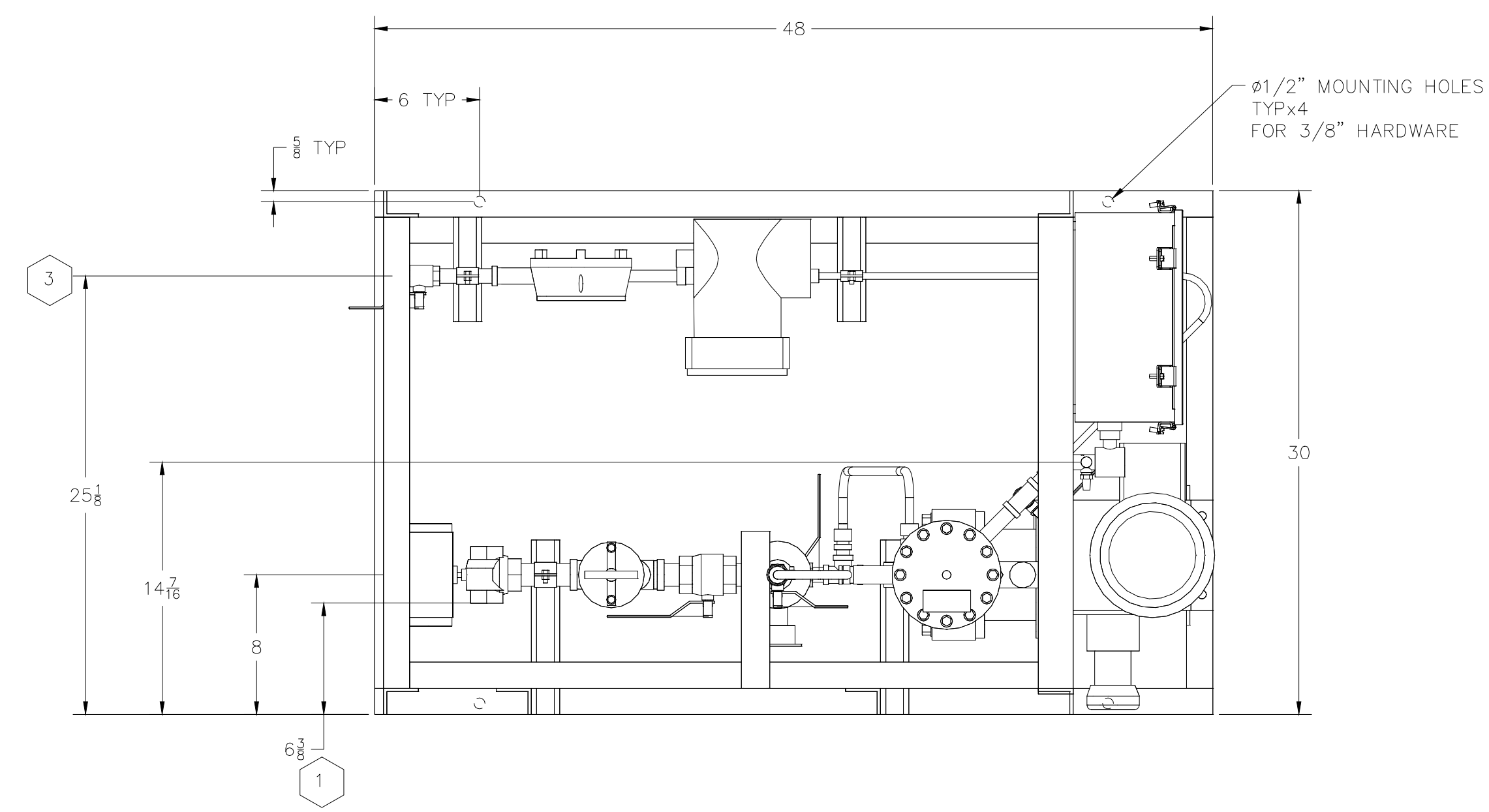
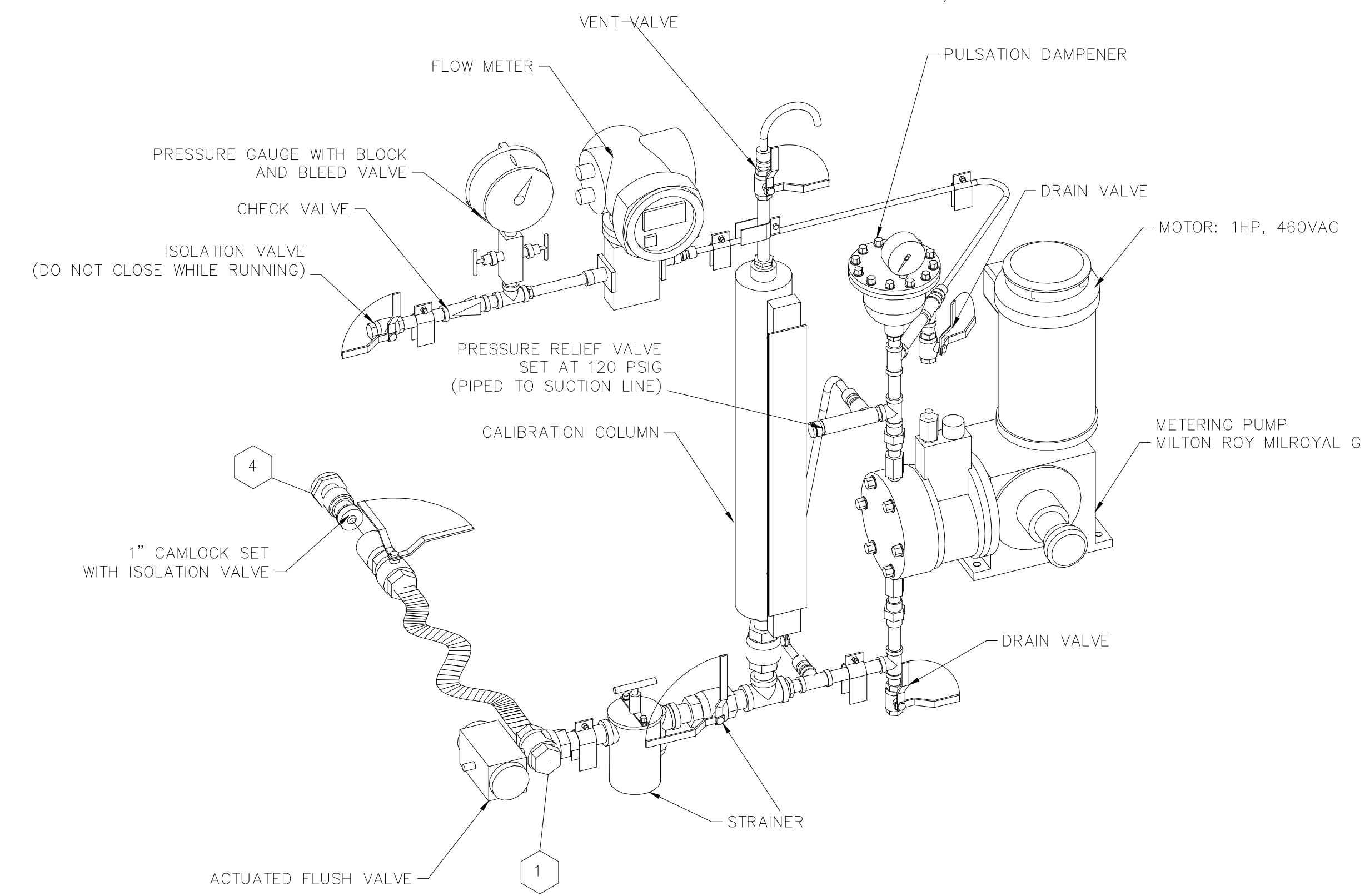
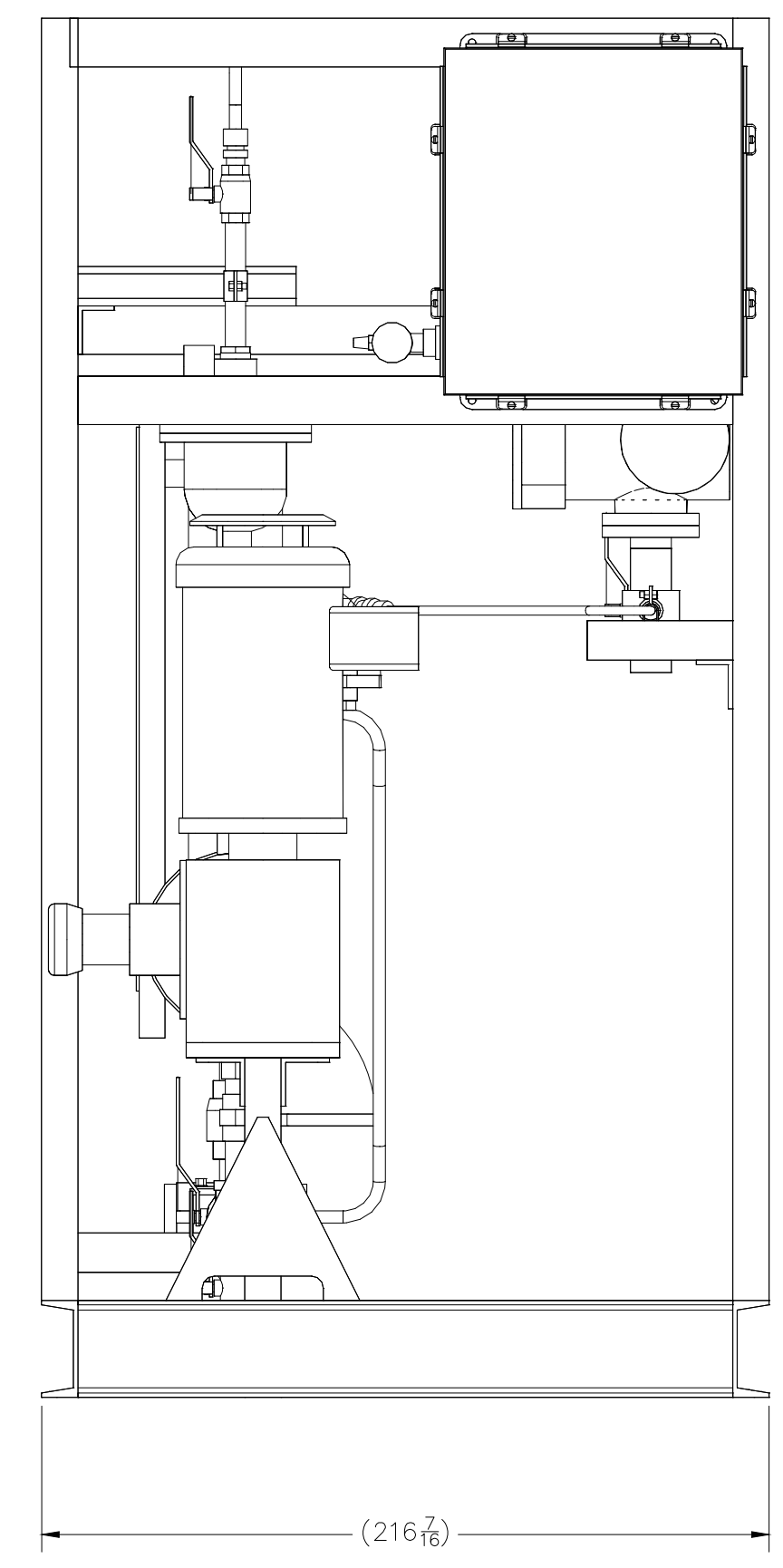
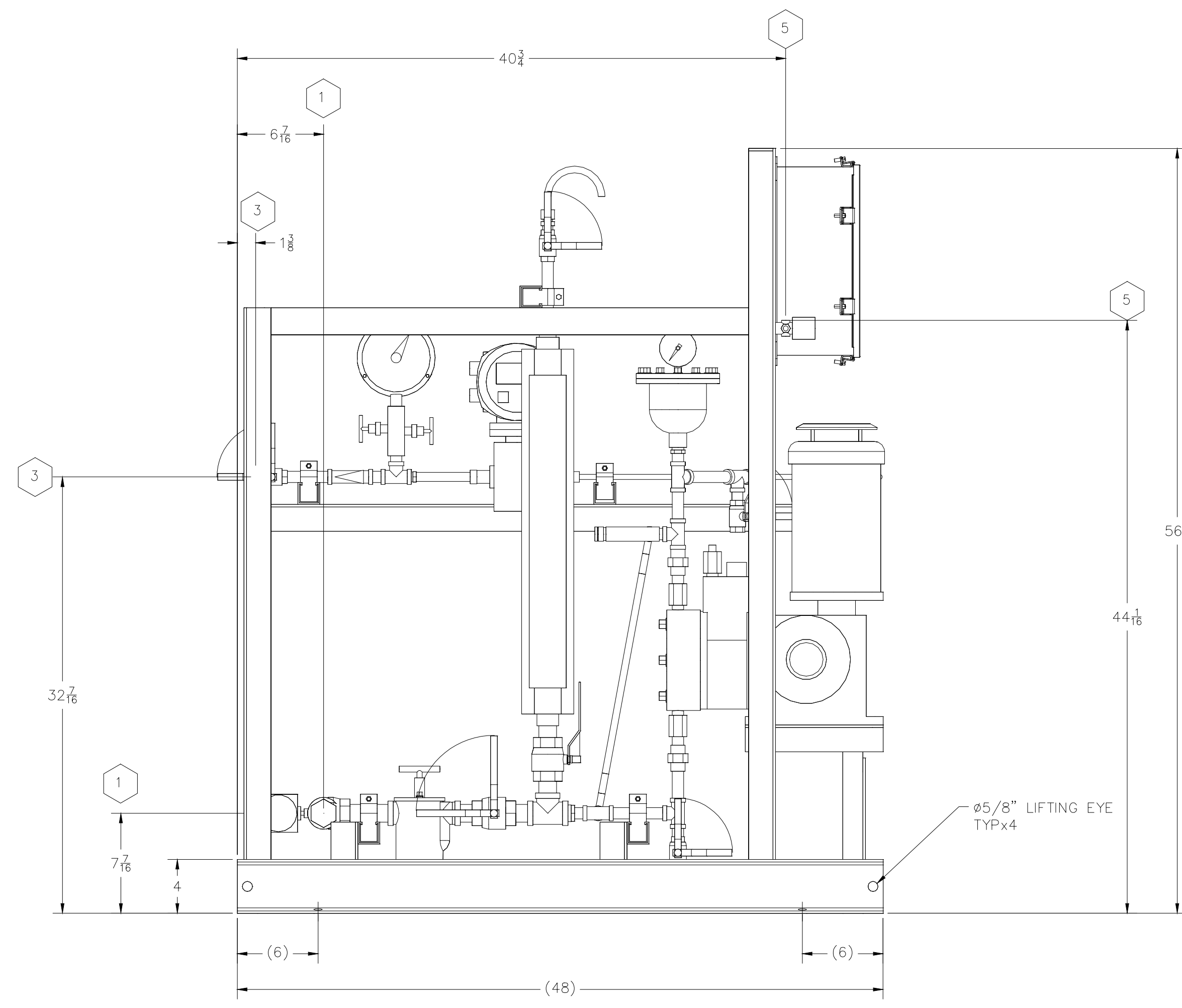


CONNECTION TABLE LIST		
CONNECTION NUMBER	CONNECTION SIZE & TYPE	CONNECTION NAME
1	1" FNPT	FLUSH WATER INLET
2	1" FNPT	SUPPLY INLET
3	1/2" FNPT	DISCHARGE
4	2" MNPT	TOTE CONNECTION
5	1/4" FNPT	AIR SUPPLY



- NOTES:
- UNLESS OTHERWISE SPECIFIED ALL DIMENSIONS ARE IN INCHES.
 - DIMENSIONS ENCLOSED WITHIN PARENTHESES INDICATE REFERENCE.
 - SUPPLY CONNECTION 2 AND TOTE CONNECTION 4 (CAMLOCK SET) ARE CONNECTED BY 1" ID PVC HOSE.
 - ALL FRAME MATERIAL A-36 CARBON STEEL EPOXY COATING.
 - ALL TUBE AND PIPE 316SS
 - DIMENSIONAL TOLERANCE $\pm 1/2"$
 - APPROXIMATE SKID WEIGHT: 450LB.
 - DO NOT SCALE DRAWING.



DO NOT SCALE DRAWING!

TOLERANCES ON DIMENSIONS ARE AS FOLLOWS EXCEPT FOR BASIC DIMENSIONS, MAT'L STOCK SIZES AND TOLERANCES SPECIFIED OTHERWISE.				SUPERIOR INDUSTRIAL EQUIPMENT COMPANY	
ONE DECIMAL _____				CHEMICAL METERING SKID GENERAL ARRANGEMENT	
TWO DECIMALS _____				DATE: 07DEC2011	
THREE DECIMALS _____				REV: 1	
ANGULAR DIMENSIONS _____				SHEET OF 1	
CAST DIMENSIONS _____				C11298-201	
MATERIAL STOCK SIZE TOLERANCES SHALL CONFORM TO APPLICABLE STANDARD MILL VALUES UNLESS COVERED WITHIN A SPECIFIED MATERIAL SPECIFICATION GEOMETRIC SYMBOLOLOGY PER ANSI Y14.5					
REV	DESCRIPTION	DATE	BY	CHK'D	QTY
0	RELEASED FOR APPROVAL	07DEC11	?		1