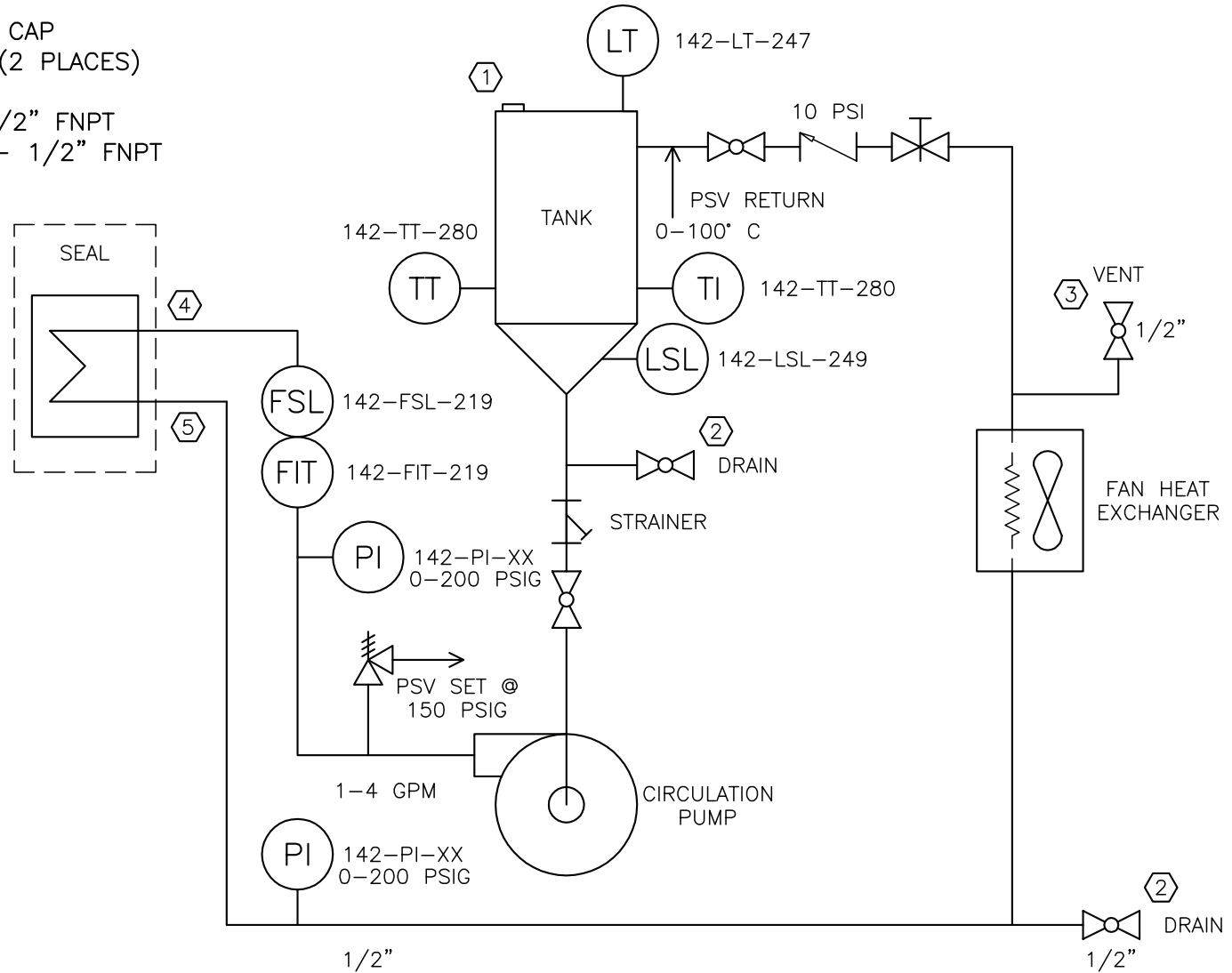


CONNECTIONS

1. FILL - 2" WITH VENT CAP
2. DRAIN - 1/2" FNPT (2 PLACES)
3. VENT - 1/2" FNPT
4. SEAL FLUID OUT - 1/2" FNPT
5. SEAL FLUID RETURN - 1/2" FNPT



					TOLERANCES ON DIMENSIONS ARE AS FOLLOWS EXCEPT FOR BASIC DIMENSIONS, MAT'L STOCK SIZES AND TOLERANCES SPECIFIED OTHERWISE.	<b>SUPERIOR INDUSTRIAL EQUIPMENT COMPANY</b>
					ONE DECIMAL ±.060 TWO DECIMALS ±.030 THREE DECIMALS ±.015 ANGULAR DIMENSIONS ± 1 CAST DIMENSIONS ±.100	
0	AS SOLD DESIGN	1/30/13	PR	KB	MATERIAL STOCK SIZE TOLERANCES SHALL CONFORM TO APPLICABLE STANDARD MILL VALUES UNLESS COVERED WITHIN A SPECIFIED MATERIAL SPECIFICATION	JOB
REV	DESCRIPTION	DATE	BY	CHK'D	GEOMETRIC SYMBOLOGY PER ANSI Y14.5	DRAWN BY P. ROGOWSKI
						DATE 01/30/13
						SHEET OF
						SIZE A
						DRAWING NUMBER C13022-101
						REV. 0