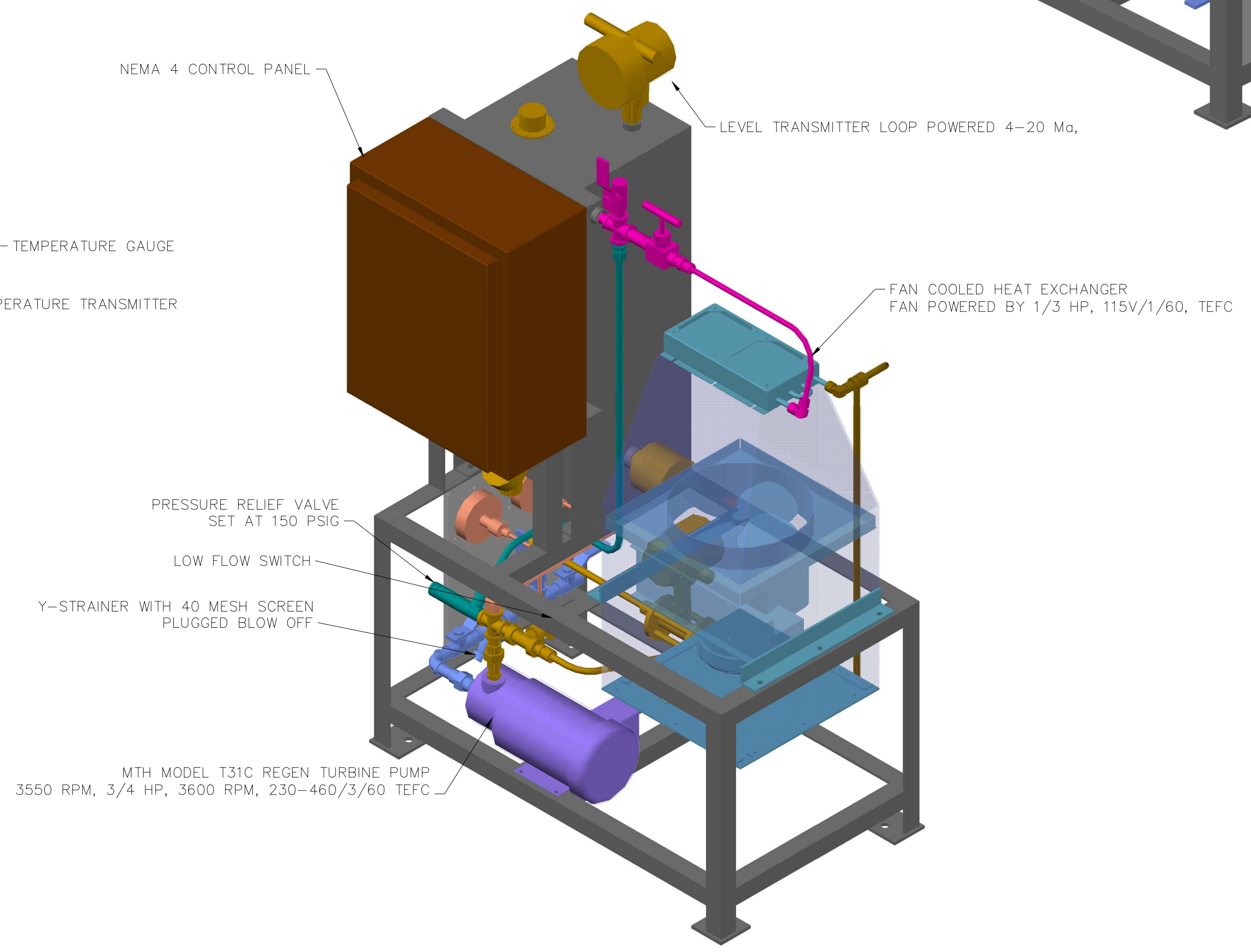
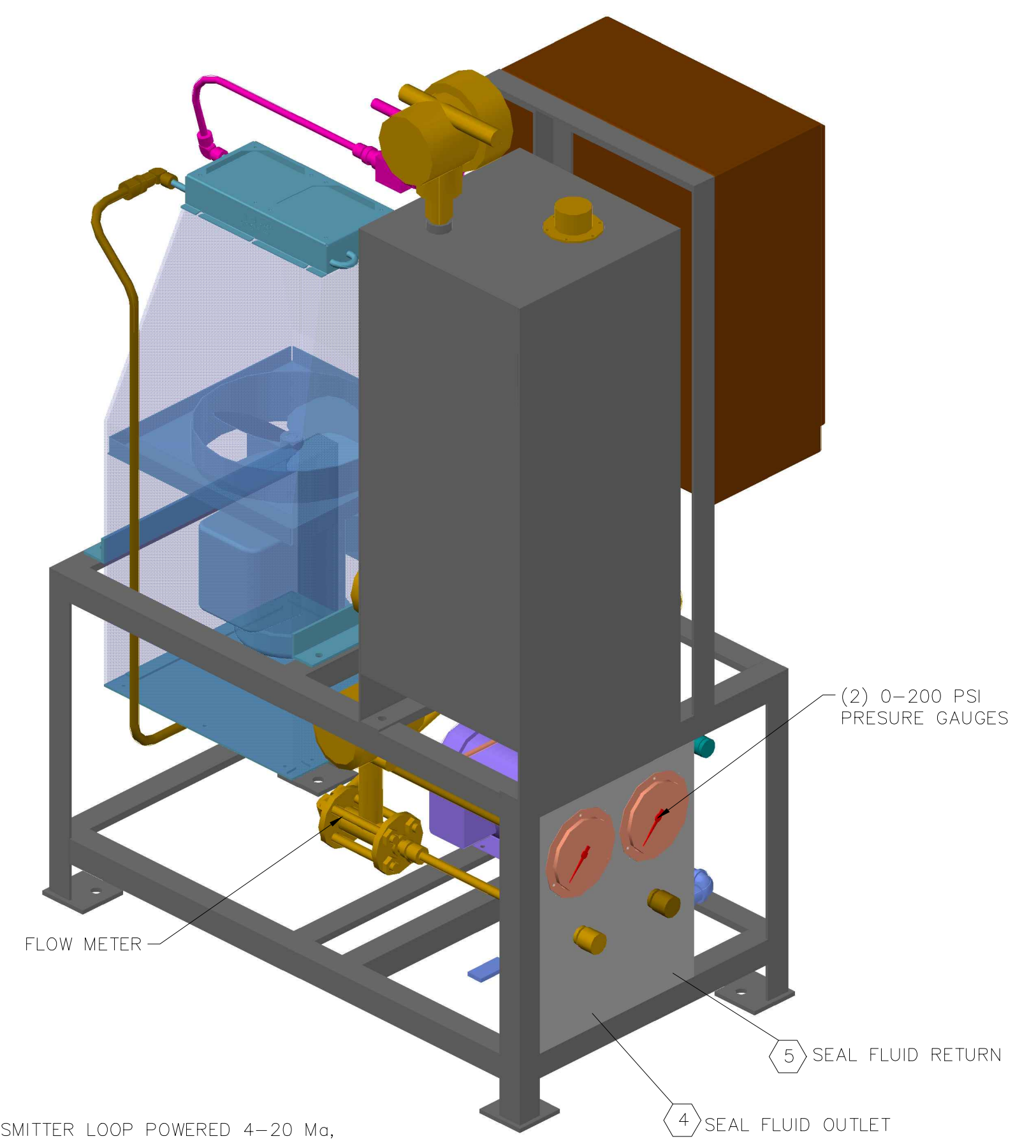
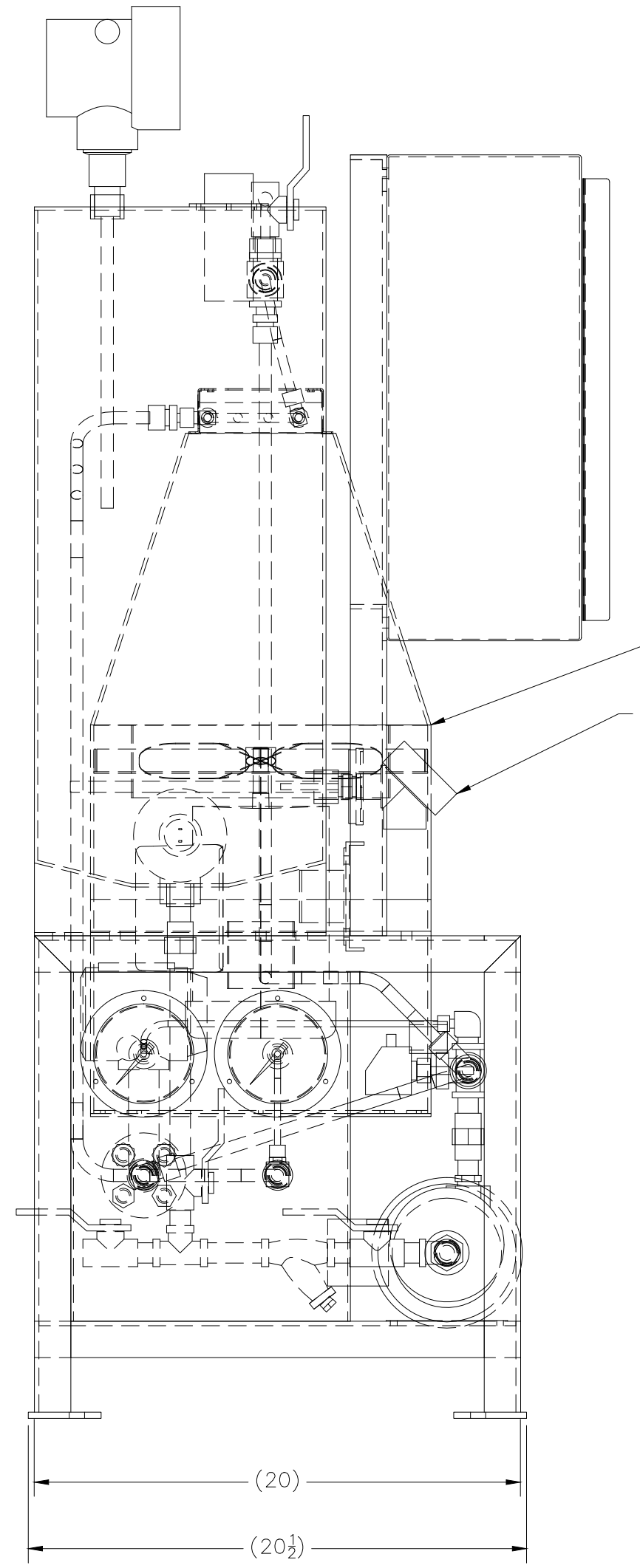
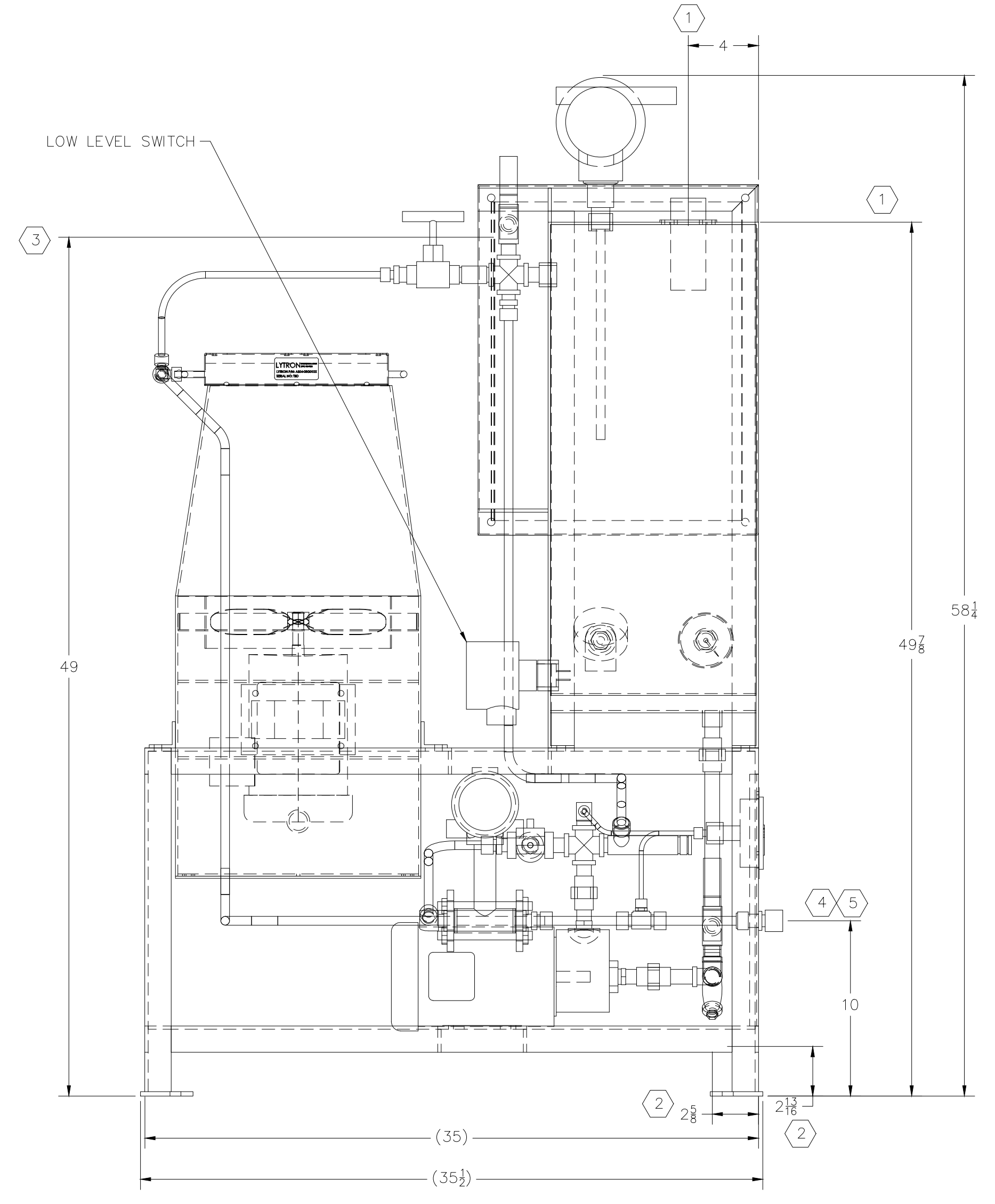
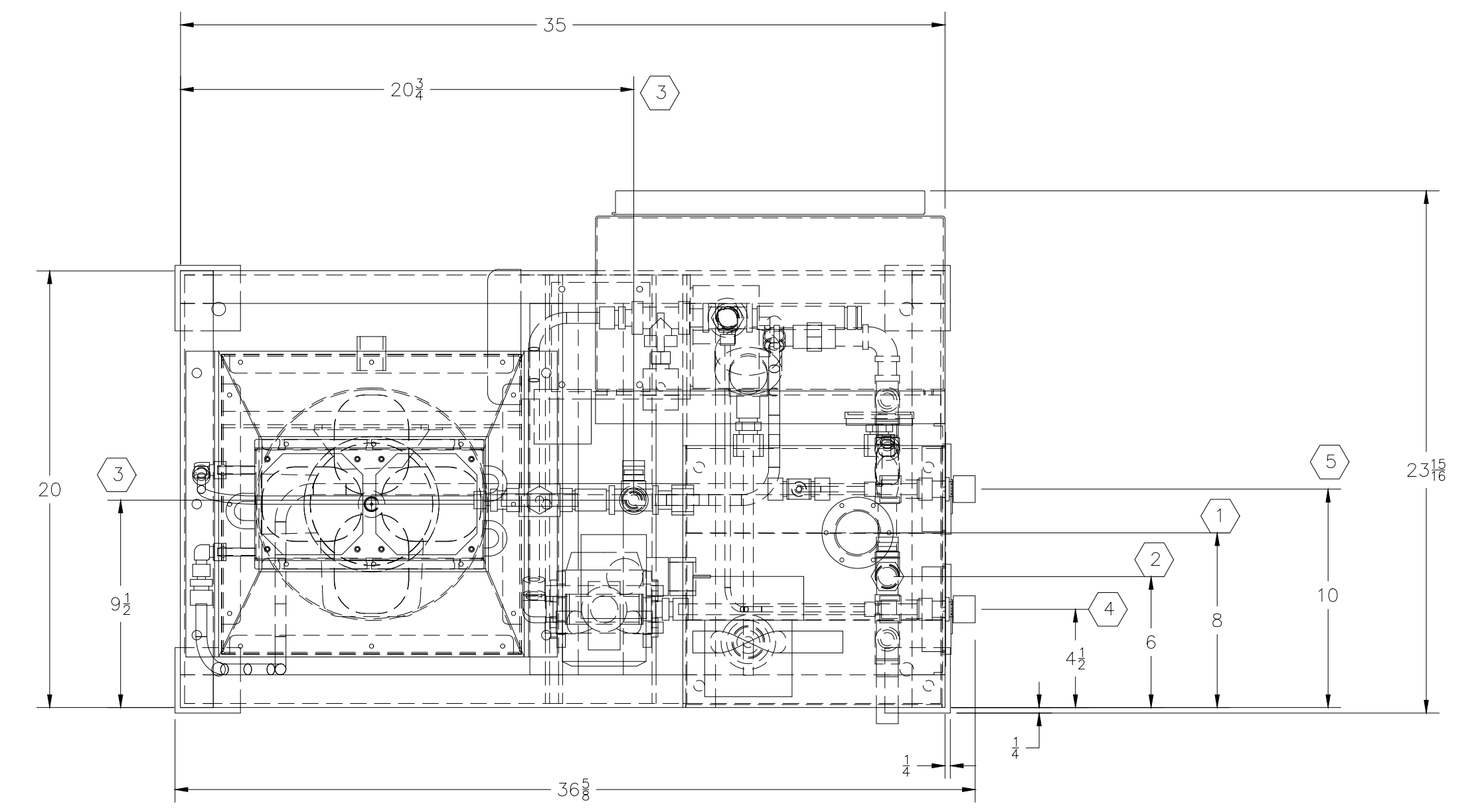


CONNECTION TABLE LIST		
CONNECTION NUMBER	CONNECTION SIZE & TYPE	CONNECTION NAME
1	2" WITH VENT CAP	FILL
2	1/2" FNPT	TANK DRAIN
3	1/2" FNPT	VENT
4	1/2" FNPT	SEAL FLUID OUTLET
5	1/2" FNPT	SEAL FLUID INLET



- NOTES:**
- 1.) UNLESS OTHERWISE SPECIFIED ALL DIMENSIONS ARE IN INCHES.
  - 2.) DIMENSIONS ENCLOSED WITHIN PARENTHESES INDICATE REFERENCE.
  - 4.) ALL FRAME MATERIAL A-36 CARBON STEEL EPOXY COATING.
  - 5.) ALL TUBE AND PIPE 316SS
  - 6.) DIMENSIONAL TOLERANCE  $\pm 1/2"$
  - 7.) DO NOT SCALE DRAWING.

DO NOT SCALE DRAWING!

TOLERANCES ON DIMENSIONS ARE AS FOLLOWS EXCEPT FOR BASIC DIMENSIONS, MAT'L STOCK SIZES AND TOLERANCES SPECIFIED OTHERWISE.					SUPERIOR INDUSTRIAL EQUIPMENT COMPANY	
ONE DECIMAL						
TWO DECIMALS					DATE: 07FEB2013	
THREE DECIMALS					REV: 1	
ANGULAR DIMENSIONS					SHEET: 1	
CAST DIMENSIONS					TOTAL SHEETS: 1	
MATERIAL STOCK SIZE TOLERANCES SHALL CONFORM TO APPLICABLE STANDARD MILL VALUES UNLESS COVERED WITHIN A SPECIFIED MATERIAL SPECIFICATION					C13022-201	
GEOMETRIC SYMBOLOLOGY PER ANSI Y14.5					A	