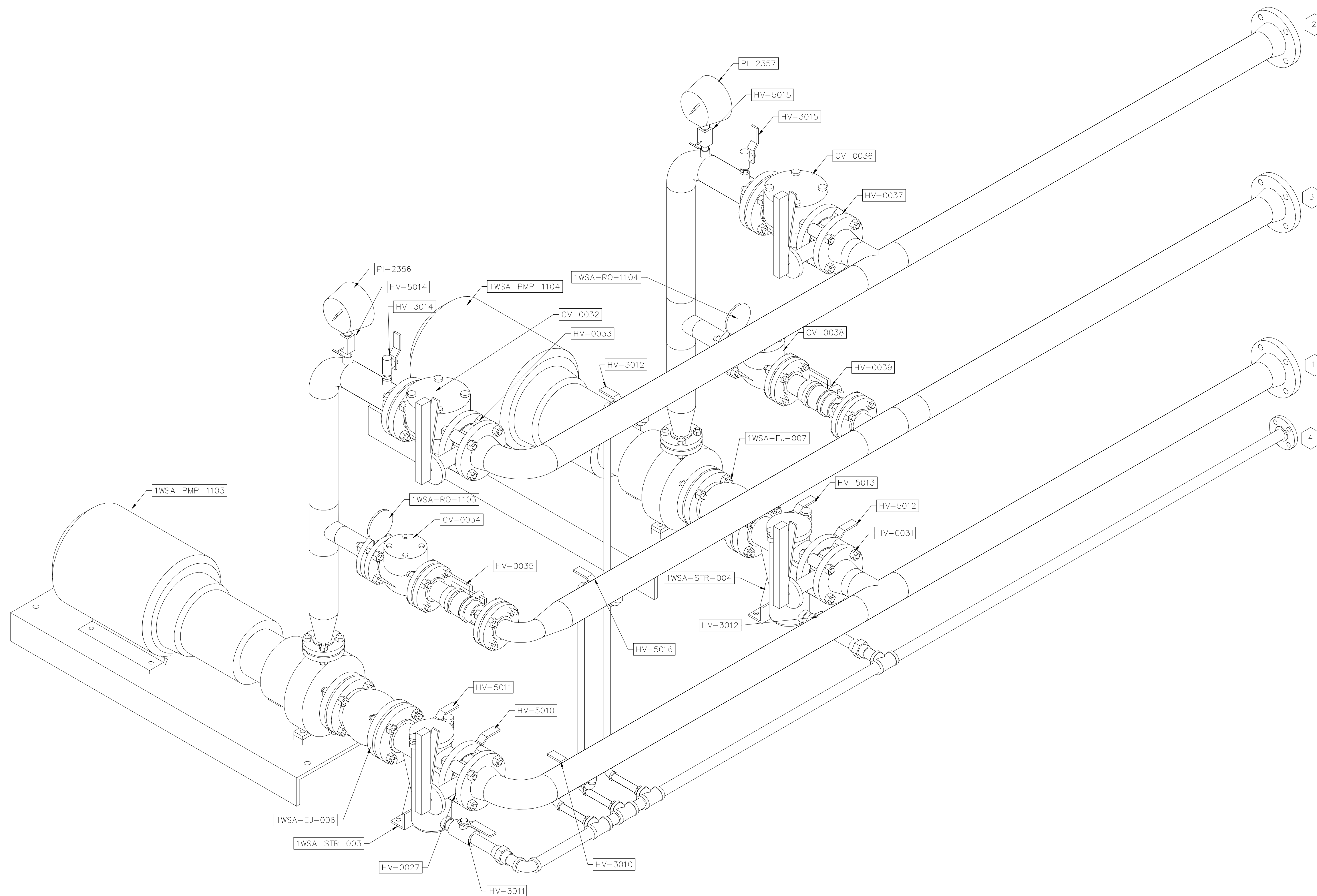


CONNECTION TABLE LIST		
CONNECTION NUMBER	CONNECTION SIZE & TYPE	CONNECTION NAME
1	3" 150# RF ANSI FLANGE	SUCTION MANIFOLD
2	3" 150# RF ANSI FLANGE	DISCHARGE MANIFOLD
3	3" 150# RF ANSI FLANGE	BYPASS DISCHARGE MANIFOLD
4	1" 150# RF ANSI FLANGE	DRAIN MANIFOLD



- NOTES:**
- 1.) UNLESS OTHERWISE SPECIFIED ALL DIMENSIONS ARE IN INCHES.
 - 2.) DIMENSIONS ENCLOSED WITHIN PARENTHESES INDICATE REFERENCE.
 - 3.) ALL FRAME MATERIAL A-36 CARBON STEEL RAL 7037 LIGHT GRAY EPOXY COATING.
 - 4.) ALL PIPE CARBON STEEL.
 - 5.) DIMENSIONAL TOLERANCE $\pm 1/2"$
 - 6.) APPROXIMATE SKID WEIGHT: 14,040 LB
 - 7.) DO NOT SCALE DRAWING.
 - 8.) MINIMUM 42" DISTANCE TO INTERIOR WALL OF ENCLOSURE.
 - 9.) LEVEL SKID TO $.001"/FT$, MAX DEVIATION $.005"$. ALIGN PUMPS PRIOR TO GROUTING. VERIFY ALIGNMENT AFTER GROUTING.
 - 10.) JACK SCREW AND ANCHOR BOLT LOCATIONS.

DO NOT SCALE DRAWING!

				TOLERANCES ON DIMENSIONS ARE AS FOLLOWS EXCEPT FOR BASIC DIMENSIONS, MAT'L STOCK SIZES AND TOLERANCES SPECIFIED OTHERWISE.		SUPERIOR INDUSTRIAL EQUIPMENT COMPANY CONTRACT 5.2190 SKID GENERAL ARRANGEMENT	
				ONE DECIMAL	_____		
				TWO DECIMALS	_____	DATE: 02AUG12	
				ANGULAR DIMENSIONS	_____	SHEET 1 OF 1	
				CAST DIMENSIONS	_____	DRAWN BY: SV	
				MATERIAL STOCK SIZE TOLERANCES SHALL CONFORM TO APPLICABLE STANDARD MILL VALUES UNLESS COVERED WITHIN A SPECIFIED MATERIAL SPECIFICATION			
REV	DESCRIPTION	DATE	BY	CHK'D	PROJECT: DM12076-203 SHEET: A		
A	REVISED AND RESUBMITTED/COMMENTS	14NOV12	SV	KB			
0	RELEASED FOR APPROVAL	02AUG12	SV	KB			