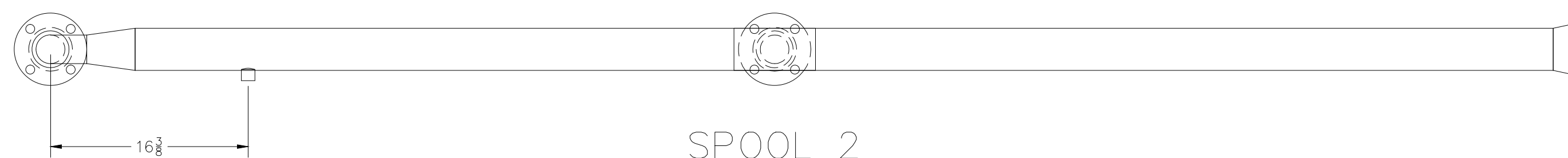
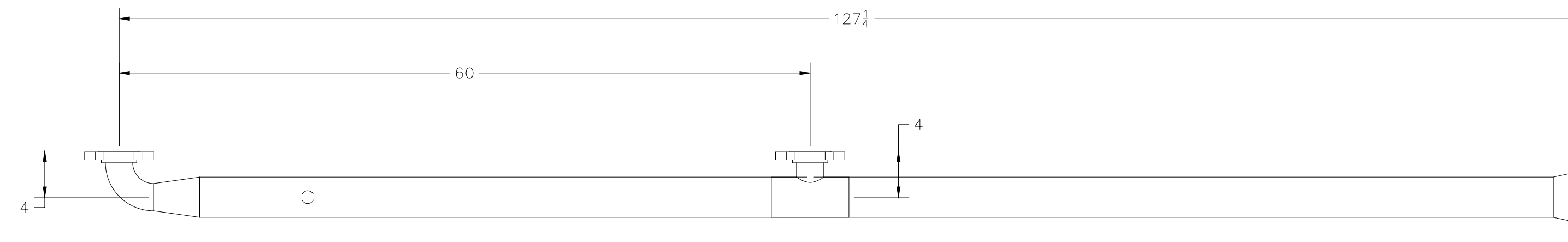
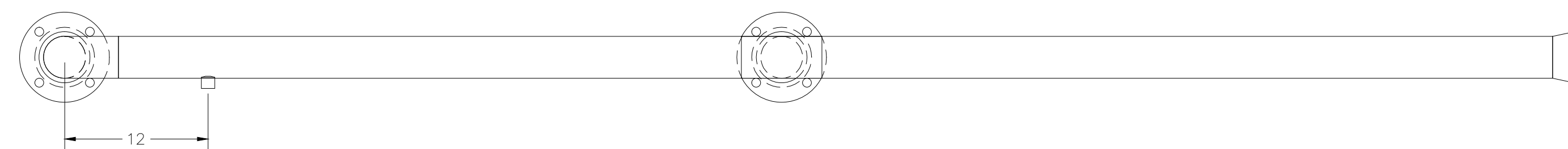
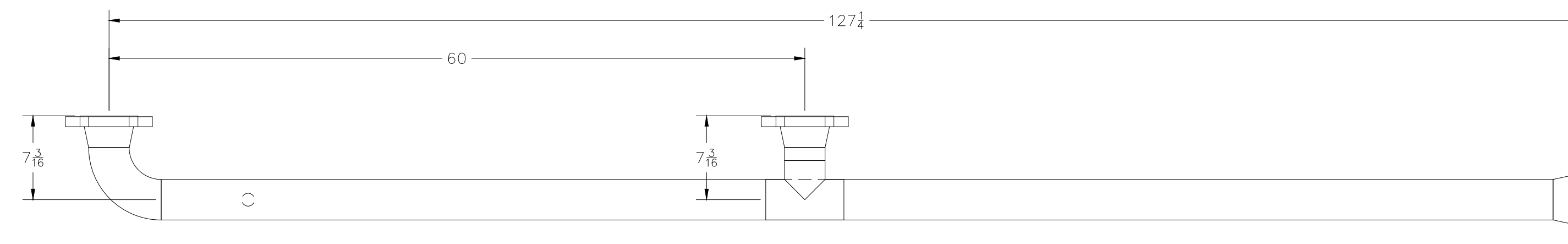


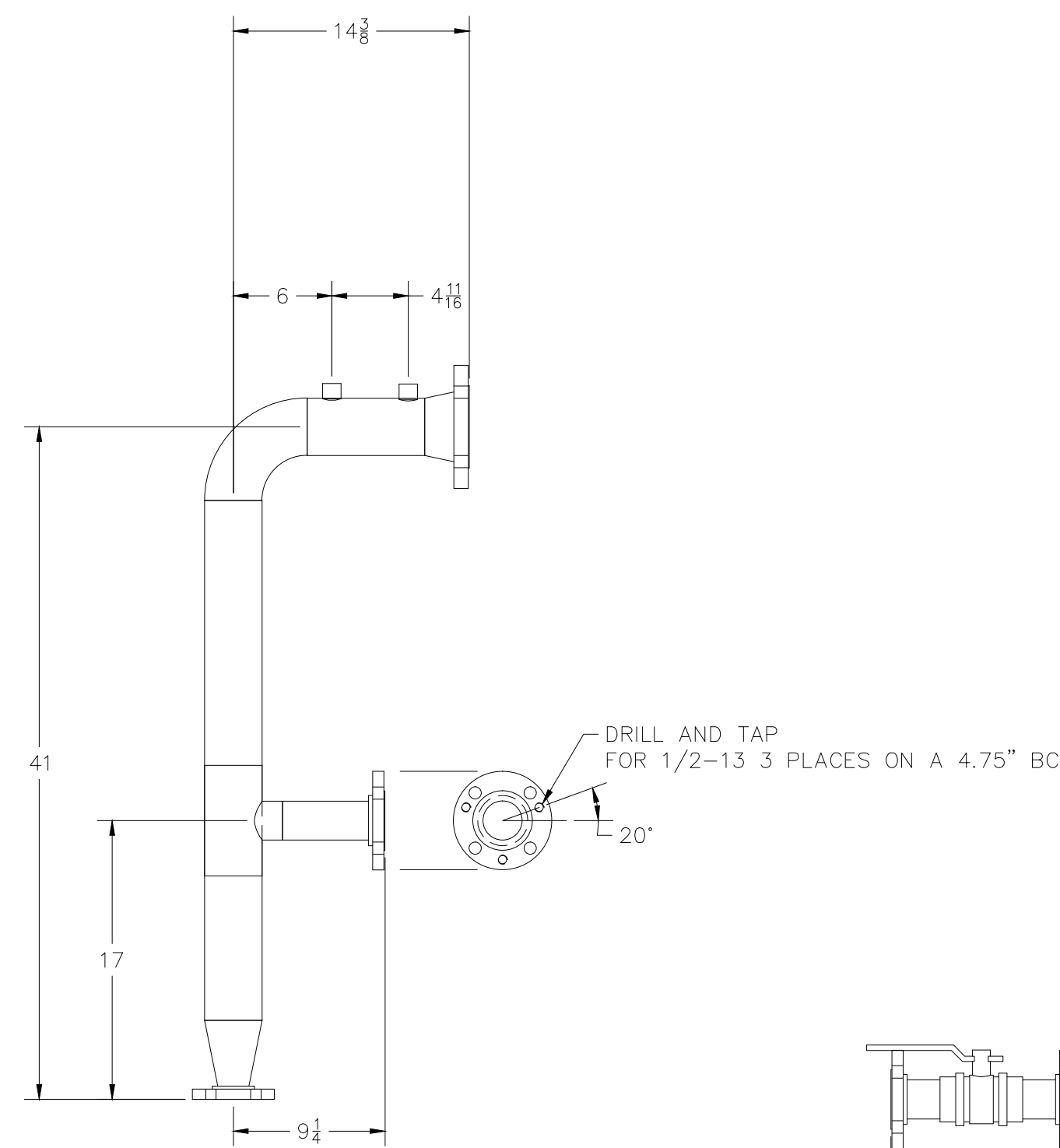
SPOOL 1b



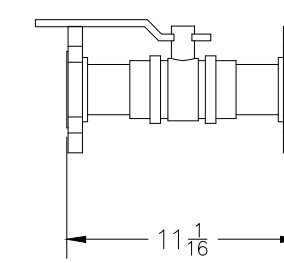
SPOOL 2



SPOOL 1a



SPOOL 3a AND 3b



SPOOL 4a AND 4b

NOTES:

- 1.) UNLESS OTHERWISE SPECIFIED ALL DIMENSIONS ARE IN INCHES.
- 2.) DIMENSIONS ENCLOSED WITHIN PARENTHESES INDICATE REFERENCE.
- 3.) ALL PIPE CARBON STEEL.
- 4.) DIMENSIONAL TOLERANCE **±.1/16"**
- 5.) DO NOT SCALE DRAWING.

DO NOT SCALE DRAWING!

				TOLERANCES ON DIMENSIONS ARE AS FOLLOWS EXCEPT FOR BASIC DIMENSIONS, MAT'L STOCK SIZES AND TOLERANCES SPECIFIED OTHERWISE.		SUPERIOR INDUSTRIAL EQUIPMENT COMPANY	
				ONE DECIMAL	_____	CONTRACT 5.2100 SKID PIPE SPOOLS	
				TWO DECIMALS	_____		
				THREE DECIMALS	_____		
				ANGULAR DIMENSIONS	_____		
				CAST DIMENSIONS	_____		
				MATERIAL STOCK SIZE TOLERANCES SHALL CONFORM TO APPLICABLE STANDARD MILL VALUES UNLESS COVERED WITHIN A SPECIFIED MATERIAL SPECIFICATION			
REV	DESCRIPTION	DATE	BY	CHK'D	DATE	SHEET	OF
0	RELEASED FOR FABRICATION	18FEB13	SV	KB	18FEB13	1	1
B					DM12076-502		0