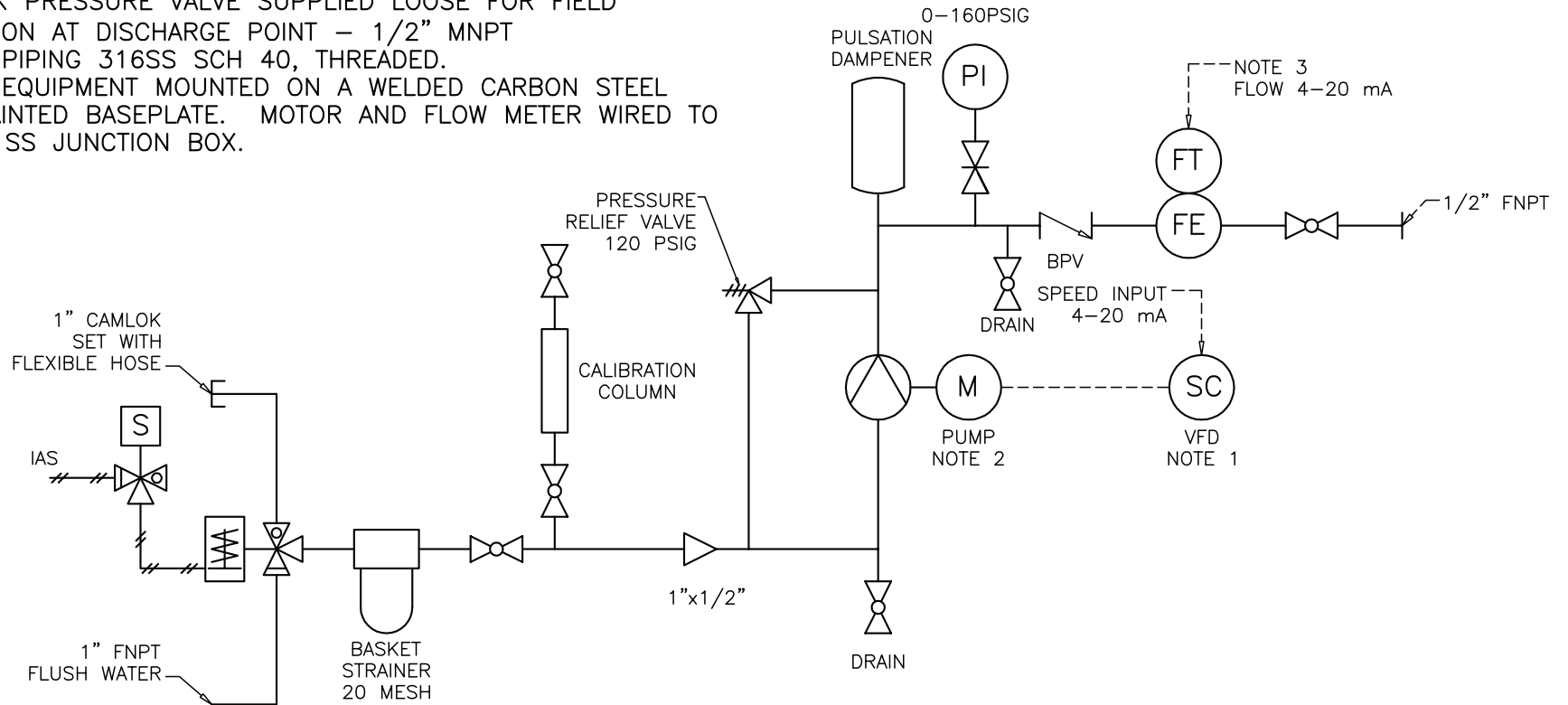


NOTES

- VFD SUPPLIED BY OTHERS IN EXISTING MCC, 1 HP 460VAC/3PH/60HZ. VFD FOR SPEED REGULATION, 10:1 CONSTANT TORQUE TURN DOWN, 4-20mA SPEED INPUT.
- PUMP: MILTON ROY MILROYAL G MODEL MGH281-14M2SENNNN11. 0-121 LPH, MANUAL STROKE LENGTH ADJUSTMENT. CAPACITY CONTROL BY VARIABLE SPEED. INTERNAL HYDRAULIC RELIEF VALVE.
- FLOW METER
- BACK PRESSURE VALVE SUPPLIED LOOSE FOR FIELD INSTALLATION AT DISCHARGE POINT - 1/2" MNPT
- ALL PIPING 316SS SCH 40, THREADED.
- ALL EQUIPMENT MOUNTED ON A WELDED CARBON STEEL EPOXY PAINTED BASEPLATE. MOTOR AND FLOW METER WIRED TO NEMA 4X SS JUNCTION BOX.



					TOLERANCES ON DIMENSIONS ARE AS FOLLOWS EXCEPT FOR BASIC DIMENSIONS, MAT'L STOCK SIZES AND TOLERANCES SPECIFIED OTHERWISE.	<b>SUPERIOR INDUSTRIAL EQUIPMENT COMPANY</b>
					ONE DECIMAL                    ±.060 TWO DECIMALS                ±.030 THREE DECIMALS               ±.015 ANGULAR DIMENSIONS        ± 1 CAST DIMENSIONS               ±.100	
B	FOR PROPOSAL	11/11	PR	KB		JOB DRAWN BY P. ROGOWSKI
A	FOR PROPOSAL	08/11	PR	KB		DATE 11/07/11
REV	DESCRIPTION	DATE	BY	CHK'D	MATERIAL STOCK SIZE TOLERANCES SHALL CONFORM TO APPLICABLE STANDARD MILL VALUES UNLESS COVERED WITHIN A SPECIFIED MATERIAL SPECIFICATION GEOMETRIC SYMBOLOGY PER ANSI Y14.5	SHEET OF SIZE A
						DRAWING NUMBER <b>QC4046-001</b>
						REV. B